



Technical Specifications

Perceptron once again is shaking the CMM scanning market by releasing its new V7 sensor. The V7 is built using cutting edge technology, including the use of blue laser at a price lower than the competition, making scanning affordable for all Coord3 CMM users.

V7 Specifications

Field of View (FOV)

Standoff	67mm (+/- 2mm)
Depth of Field	100mm (+/- 2mm)
Near Field Width	48mm (+/- 2mm)
Far Field Width	88mm (+/- 4mm)

Data Capture

Mean Point Resolution	≤40µm at mid field
Points per Line	1280
Scan Rate	Up to 128,000 points per second
Update Frequency	Up to 50 Hz

Accuracy

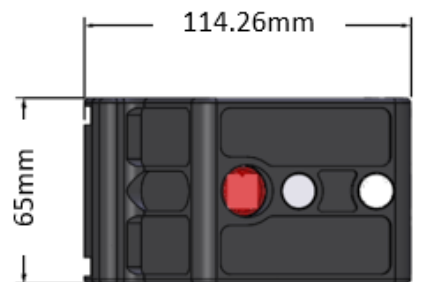
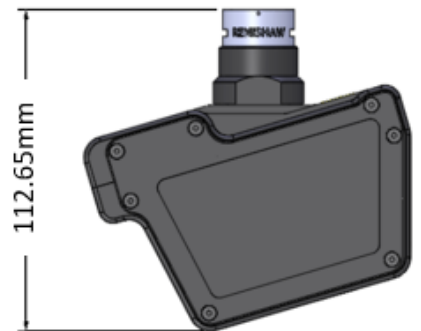
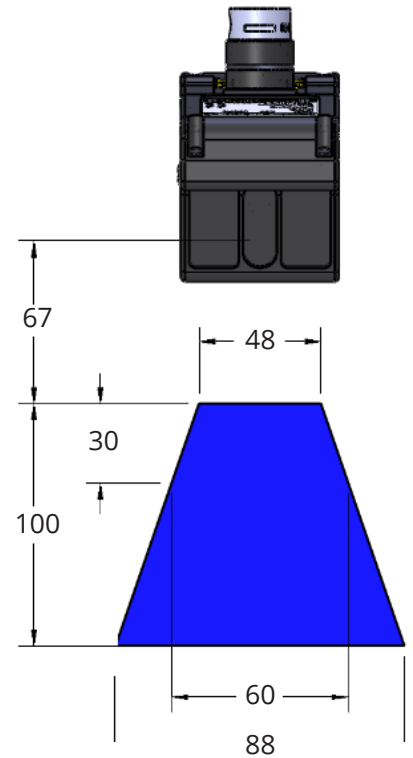
Probing Error Eform.pla.D%95:j:MPE	8µm (MPEp) ³
ISO 8-10360 P Form.Sph.D%95:Tr:ODS,MPL	35µm

Sensor

Length	114.26mm
Height	112.65mm
Width	65mm
Weight	456g
Operating Temperature	10°C to 40°C
Communications	GiGE Ethernet
Laser Class	2M
Laser Wavelength	450nm (Blue)
Certification	UL, CSA, CE
Safety	IEC 60825-1:2007
Protection	IP54 (Excludes Renishaw Connector)

Computer

Operating System	64-bit Windows 10, Professional
CPU	64-bit Quad Core Intel with 2Ghz or better
RAM	32GB
Ethernet	NVIDIA Quadro series graphics card equipped with 2 GB of memory
USB	3.0



All specifications listed in this datasheet are subject to change without notice.